

USER MANUAL



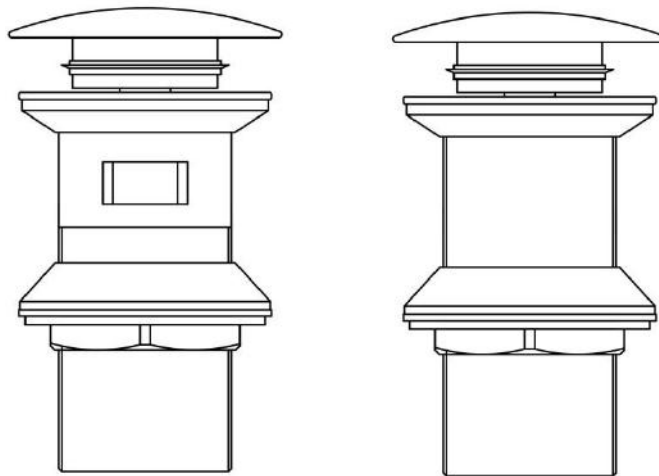
Thank you for choosing Better Bathrooms.
Please read this manual before installing your product
and keep for future reference.

better 
bathrooms

Product

ARIMB018 - Matt Black Slotted Sprung Basin Waste
ARIBB020 - Brushed Brass Slotted Basin Waste
CHSBW001 - Chrome Slotted Basin Waste
ARIMW005 - Matt White Slotted Basin Waste
ARIVRG005 - Vapour Rose Gold Slotted Basin Waste

ARIMB019 - Matt Black Unslotted Sprung Basin Waste
ARIBB021 - Brushed Brass Unslotted Basin Waste
CHUBW001 - Chrome Unslotted Basin Waste
ARIMW006 - Matt White Unslotted Basin Waste
ARIVRG006 - Vapour Rose Gold Unslotted Basin Waste



- **Single-person assembly**
- **We always recommend using professional tradespeople to install your product**

V2_3/9/2022

Congratulations on your purchase

And welcome to our growing gang of savvy shoppers

We're on a mission to bring you extraordinary bathroom products, for less. From modern to traditional style ceramics, plus the gorgeous fixtures, fittings and furniture to match. So, you can fall in love with your space every single day.

As one of the UK's largest independent bathroom stores, we've received countless awards; including the National Business Awards UK, the Digital Entrepreneur Awards and being placed on The Sunday Times Fast Track 100.

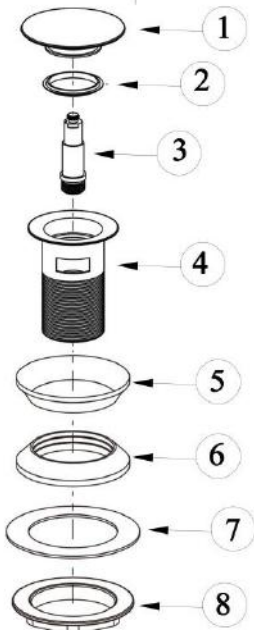
We hope your new product goes above and beyond your expectations. However, should any problems occur, please:

- log in to your account and contact our customer services team via your self-serve portal – betterbathrooms.com/Account/Login
- contact us via betterbathrooms.com/contact-us

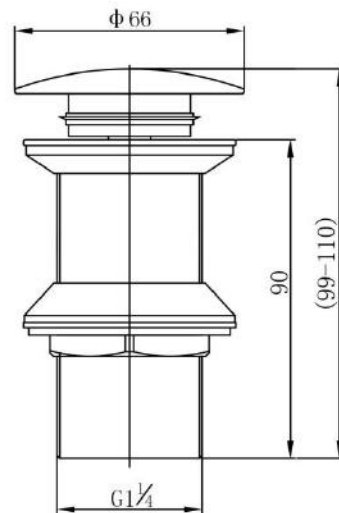
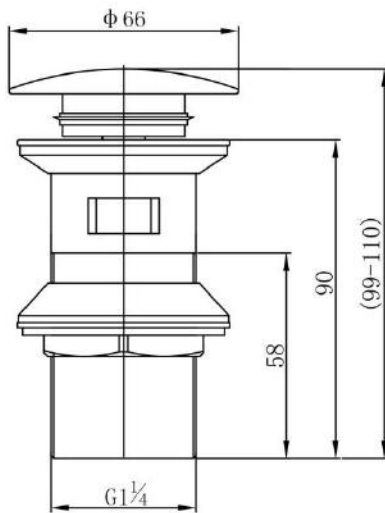
Important information

- Please read these instructions thoroughly and retain for future reference
- Installation must be carried out in compliance with The Water Fittings Regulations and Scottish Water Byelaws.
- The system must be flushed prior to installation, else it might clog the filter and the following phenomenon occurs: discharged water volume is small, or temperature cannot be controlled well.
- Pressures must be equal for optimum performance
- Please do not connect hot and cold water supply lines in reverse. This could result in hot water flowing from cold line and cause scalding.
- The feed-water temperature of water shall not exceed 85°C. Exceeding 85°C may cause scalding, the service life of faucets might be shortened, or the faucet might be damaged.
- After installation, please make sure the faucet is securely mounted and checked for leaks.
-

Parts / Diagrams

	No	Part Description
	1	Clicker dome
	2	O-ring
	3	Piston kit
	4	Drain body
	5	Rubber Washer
	6	Rubber Washer
	7	Plastic gasket
	8	Locknut

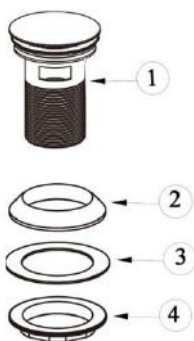
Dimensions



Tools required

- Seal tape
- Spanner

Installation



Slotted/Unslotted Basin Waste

Note: Silicone sealant can be used.

- Unscrew the locknut(4) , and remove the plastic gasket(3) and rubber washer(2).
- Insert the drain body(1) from above the basin. For the slotted basin waste, make sure the slot lines up with the overflow on the basin.
- Install the rubber washer(2), plastic gasket(3) and tighten with locknut(4)).
- To fill the basin, the Clicker mechanism requires pressing down the clicker dome, and pressing it again to release the water.
- Check all the joints for leaks.

Troubleshooting

Issues	Check
Loose of drain body	<ul style="list-style-type: none"> • Is locknut(8) fully tighten • Is the clicker dome(1) fully tighten
Water leak	<ul style="list-style-type: none"> • Is there damage or dirt with the o-ring(2) • Is there damage or dirt with the rubber washers(5 or 6)

Maintenance and Cleaning

To maintain the surface of your product, wipe with a clean damp cloth and wipe dry, do not use any abrasive cleaning agents or materials.

If any harsh chemicals come into contact with the surface of the product, rinse and wipe clean immediately.

For more information

- visit betterbathrooms.com
- email customerservices@buyitdirect.co.uk
- call 03303903062
- write to Trident Business Park, Neptune Way, Huddersfield, HD2 1UA



Part of the BuyItDirect Group